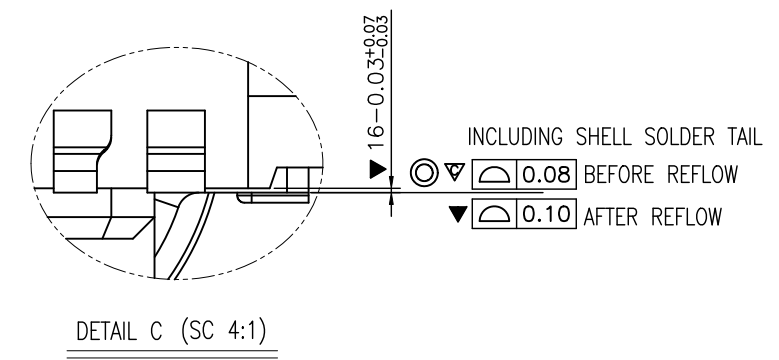
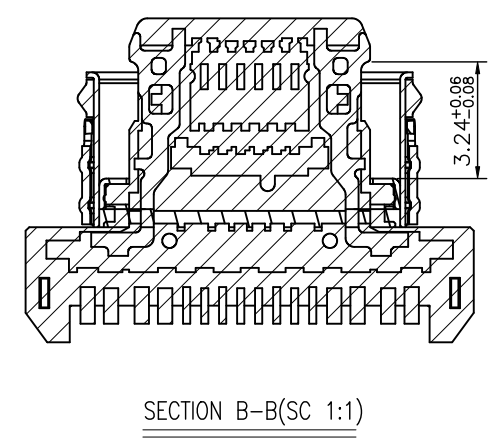
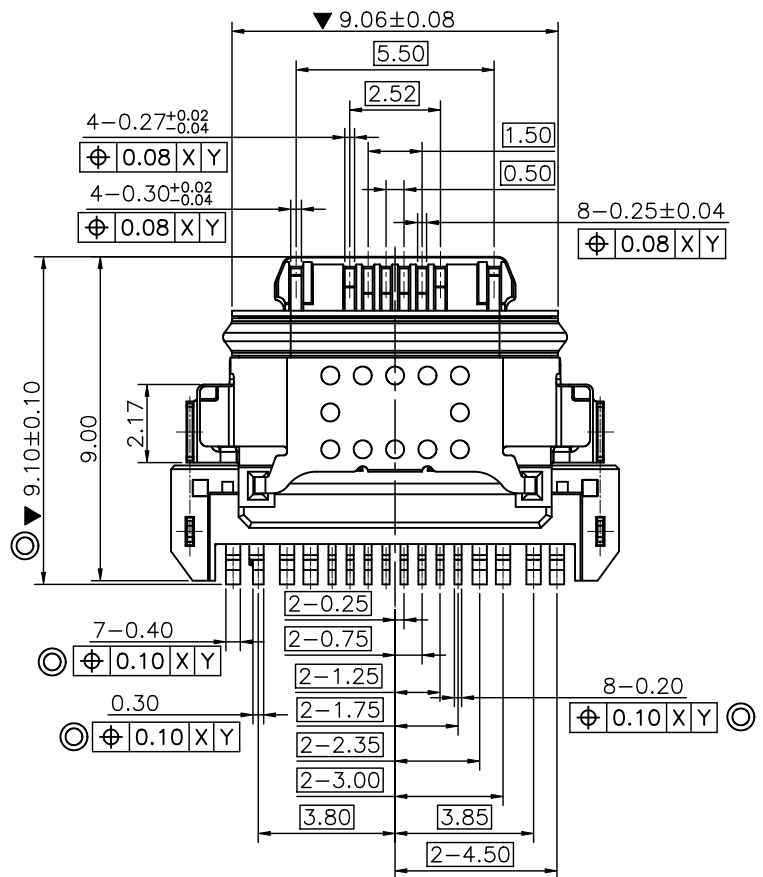
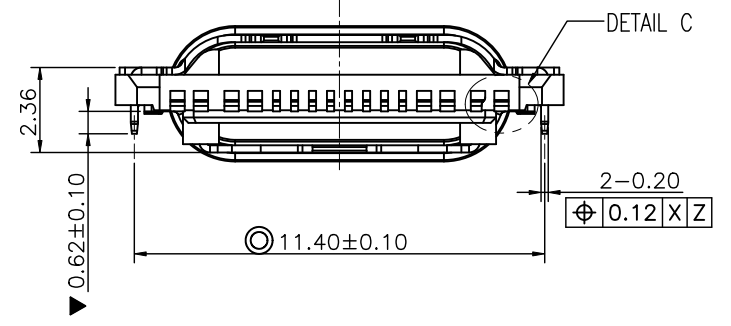
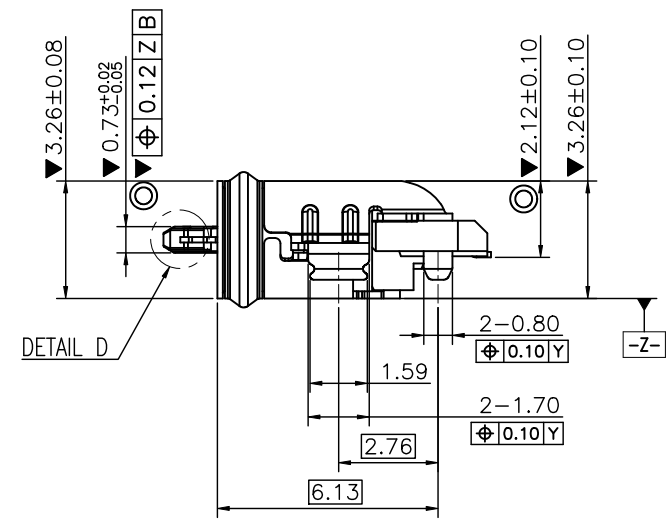
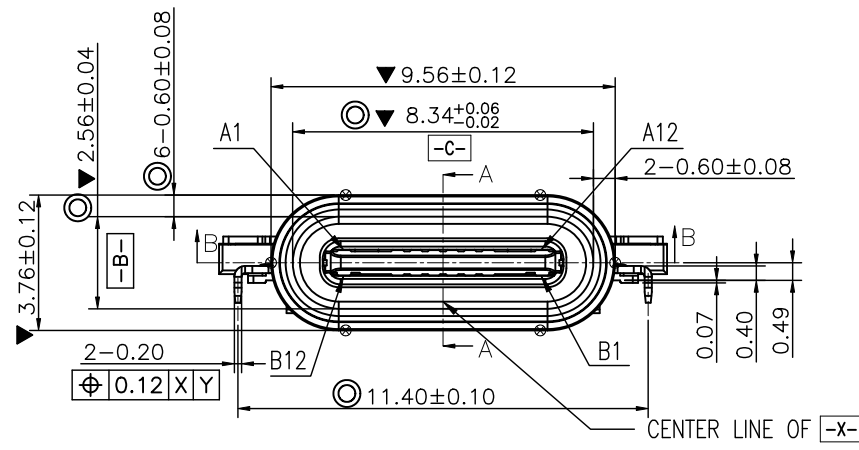
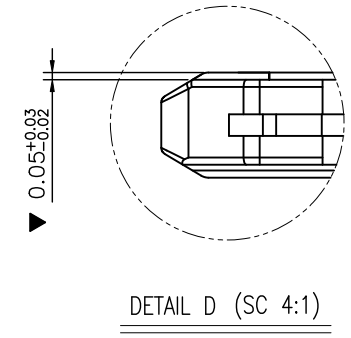
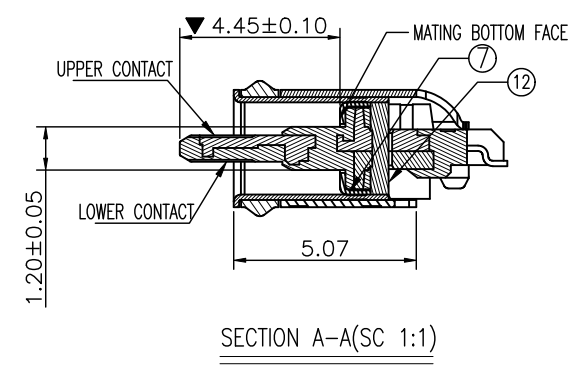
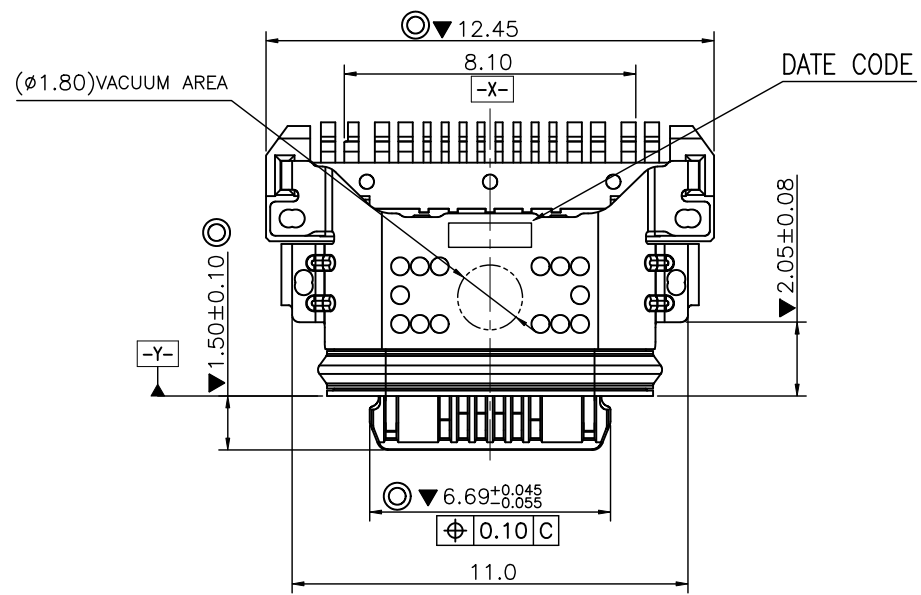


A3

REV	ECN NO	DESCRIPTION	DATE	APPD
X1	ECN20070**	初版制作.	2020.07.16	张佳华
X2	ECN20080**	中壳料厚由0.20mm变更为0.15mm.	2020.08.05	张佳华
X3	ECN20080**	变更中壳翻边高度和胶圈凸筋高度;	2020.08.10	张佳华
X4	ECN20080**	中壳翻边高度及胶圈凸筋高度尺寸还原X2版, 调整翻边R圆弧及胶圈位置尺寸;	2020.08.11	张佳华
X5	ECN20080**	调整上壳点焊位置;取消前DIP脚下料缺口;电镀描述VI变更为Q1;	2020.08.12	张佳华
X6	ECN20100**	新增铍钨电镀规格及料号 3.125A1-016-V10;	2020.10.20	张佳华



品质管控等级及要求			EXTEND USE	TITLE	FAF
符号	等级	产品管控要求	16PIN TYPE-C REC CONN	3.125A1 CONN. Customer Drawing	
▼	重点要求	巡检, 定义检验频率	GENERAL TOLERANCE	APPD	DWG NO C-3.125A1
▽	特殊特性要求	Cpk>1.33	DIMENSION	CHD	P/N: SEE NOTE 6
◎	全检要求	自动机全检	ANGLES	DRN	SHEET SCALE REV 1/3 1:1 X6
			. ±0.30	邱军	2020.10.20
			.0 ±0.20		
			.00 ±0.10		
			.000 ±0.05		

A3

NOTES 1:

1.ELECTRICAL CHARACTERISTICS:

- 1.1 CURRENT RATING: VBUS AND GND CONTACTS RATED PARALLELED FOR A TOTAL OF 4.2A MAX.
- 1.2 TEMPERATURE RANGE: -40 °C ~ 85 °C
- 1.3 CONTACT RESISTANCE: 40 MILLIONHM MAX.
- 1.4 DIELECTRIC WITHSTANDING VOLTAGE: 500 VAC FOR 1MINUTE 0.2mA
- 1.5 INSULATION RESISTNACE: 1000 MEGOHMS MIN.

2.MECHANICAL CHARACTERISTICS

- 2.1 EXTRACTION FORCE:
MATING FORCE: 5N-17N ,UNMATING FORCE: 8N-17N .
- 2.2 DURABILITY:10,000CYCLES.
- 2.3 内壳焊接后剥离强度25kgf Min.

3.ENVIROMENTAL SUBSTANCE CONTROL SHOULD COMPLY WITH FAF JH-GP-213'S SPECIFICATION;

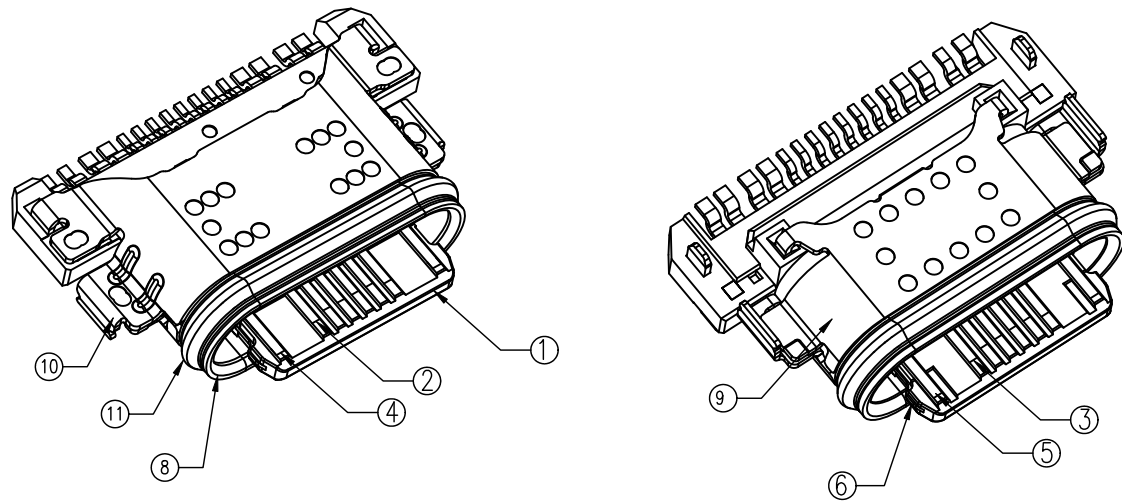
4. HOUSING FLASH: 0.10 MM MAX,METAL BURR:0.05 MM MAX.

5. THE DIMENSION MARKED "▼" SHOULD BE CKECKED BY Q,C.

THE DIMENSION MARKED"▽" SHOULD BE CPK CONTROL.

6. P/N DEFINITION:

3.125A1-016-VR0	WITH O-RING	CONTACT: 12PIN-Au+4PIN-V1/Q1
3.125A1-016-V10	WITH O-RING	CONTACT: 12PIN-Au+4PIN-V1-1/Q4



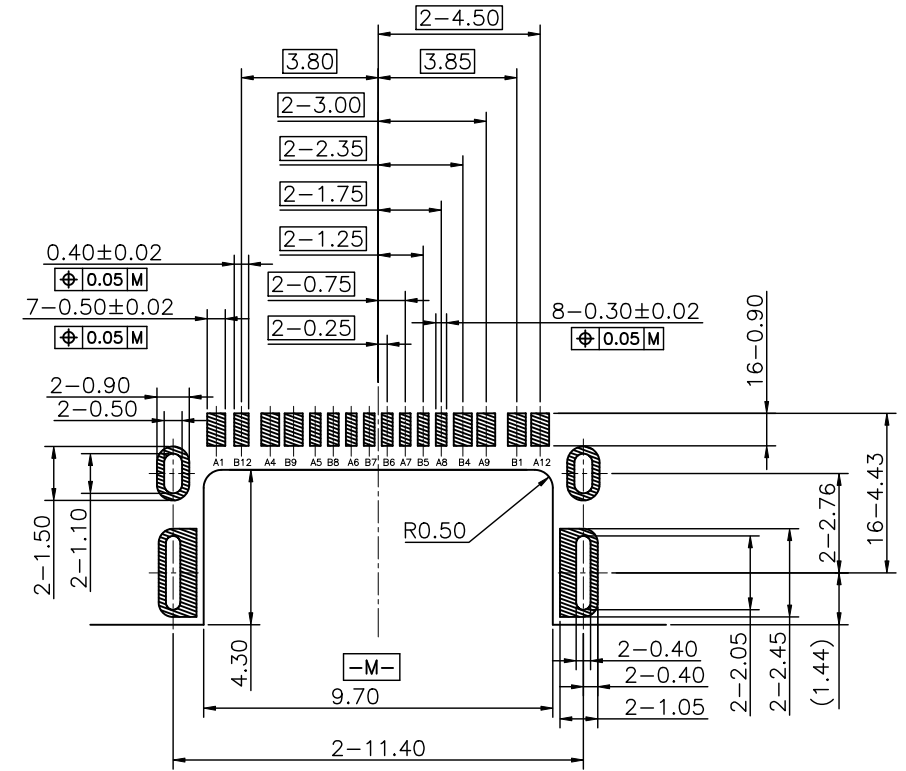
12	GLUE	1PCS	8915(宏进)	BLACK
11	O-RING	1PCS	硅胶圈硬度HA60±3', 耐高温260', 非硫化处理.	RED
10	UPPER_SHELL	1PCS	SUS301-3/4H, T=0.20mm	50~150u''Min.NICKEL OVER ALL SOLDER AREA: 2~8u''Au PLATING (DOUBLE SIDE)
9	LOWER_SHELL	1PCS	SUS301-3/4H, T=0.20mm	50~150u''Min.NICKEL OVER ALL SOLDER AREA: 2~8u''Au PLATING (SINGLE SIDE)
8	INNER_SHELL-2	1PCS	SUS316L-3/4H, T=0.15mm	50~150u''Min.NICKEL OVER ALL
7	INNER_SHELL-1	1PCS	SUS316L-3/4H, T=0.15mm	50~150u''Min.NICKEL OVER ALL
6	MID PLATE	1PCS	SUS301-H, T=0.15mm HV440-470	50~150u''Min.NICKEL OVER ALL
5	LOWER CONTACT-2 (6PIN B1-B12)	1SET	C18150-H (EFTEC-550T) T=0.15mm, Ra<0.1	Ni 80u''Min CONTACT AREA: SEE NOTE 6 SIDE/BACK AREA: SEE NOTE 6 SOLDER AREA: 2~8u''Au PLATING
4	UPPER CONTACT-2 (6PIN A1-A12)	1SET		
3	LOWER CONTACT-1 (2PIN B4,B9)	1SET		
2	UPPER CONTACT-1 (2PIN A4,A9)	1SET		
1	HOUSING	1PCS	PA46 HFX33S,UL 94V-0	BLACK
NO.	PARTS NAME	QTY	MATERIAL	FINISH

REV	ECN NO	DESCRIPTION	DATE	APPD

PIN ASSIGNMENTS

No.	NAME	DESCRIPTION
A1	GND	GROUND RETURN
A4	VBUS	BUS POWER
A5	CC1	CONFIGURATION CHANNEL
A6	DP1	POSITIVE HALF OF USB2.0 DIFFERENTIAL PAIR-POSITION1
A7	DN1	POSITIVE HALF OF USB2.0 DIFFERENTIAL PAIR-POSITION1
A8	SBU1	SIDEBAND USE(SBU)
A9	VBUS	BUS POWER
A12	GND	GROUND RETURN

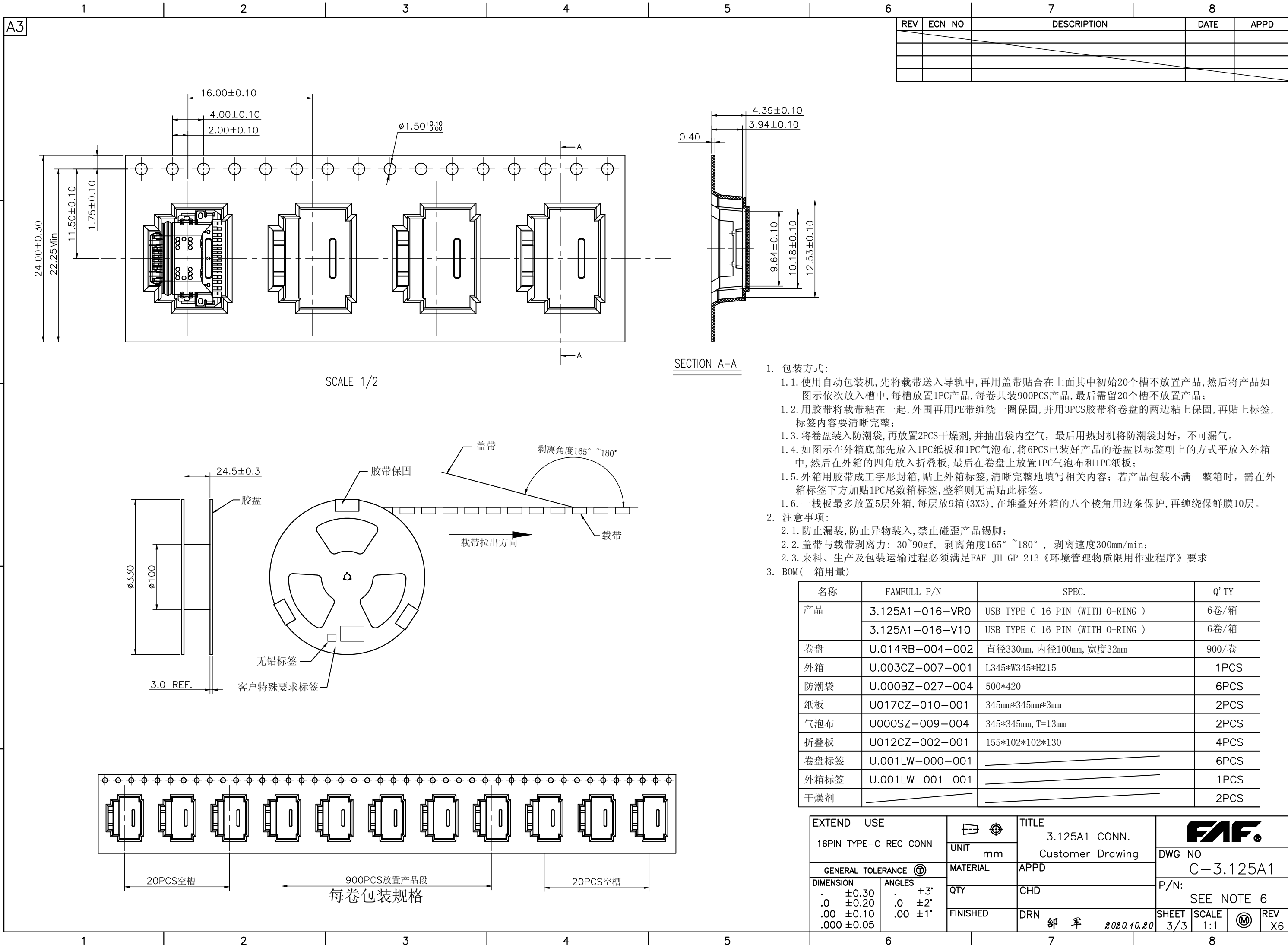
No.	NAME	DESCRIPTION
B12	SBU	GROUND RETURN OR DETECTION PIN
B9	VBUS	BUS POWER
B8	SBU2	SIDEBAND USE(SBU)
B7	DN2	NEGATIVE HALF OF USB2.0 DIFFERENTIAL PAIR-POSITION2
B6	DP2	POSITIVE HALF OF USB2.0 DIFFERENTIAL PAIR-POSITION2
B5	CC2	CONFIGURATION CHANNEL
B4	VBUS	BUS POWER
B1	GND	GROUND RETURN



RECOMMENED PCB LAYOUT(T=0.50)
SCALE: 1:1(GENERAL TOLERANCE±0.05)

EXTEND USE		TITLE			
16PIN TYPE-C REC CONN		3.125A1 CONN. Customer Drawing			
GENERAL TOLERANCE		MATERIAL	APPD	DWG NO C-3.125A1	
DIMENSION		QTY	CHD	P/N: SEE NOTE 6	
ANGLES		FINISHED	DRN	SHEET	SCALE
. ±0.30	. ±3'			2/3	1:1
.0 ±0.20	.0 ±2'				
.00 ±0.10	.00 ±1'				
.000 ±0.05					

2020.10.20 2/3 1:1 X6



SCALE 1/2

SECTION A-A

1. 包装方式:

1. 使用自动包装机, 先将载带送入导轨中, 再用盖带贴合在上面其中初始20个槽不放置产品, 然后将产品如图示依次放入槽中, 每槽放置1PC产品, 每卷共装900PCS产品, 最后需留20个槽不放置产品;
2. 用胶带将载带粘在一起, 外围再用PE带缠绕一圈保固, 并用3PCS胶带将卷盘的两边粘上保固, 再贴上标签, 标签内容要清晰完整;
3. 将卷盘装入防潮袋, 再放置2PCS干燥剂, 并抽出袋内空气, 最后用热封机将防潮袋封好, 不可漏气。
4. 如图示在外箱底部先放入1PC纸板和1PC气泡布, 将6PCS已装好产品的卷盘以标签朝上的方式平放入外箱中, 然后在外箱的四角放入折叠板, 最后在卷盘上放置1PC气泡布和1PC纸板;
5. 外箱用胶带成工字形封箱, 贴上外箱标签, 清晰完整地填写相关内容; 若产品包装不满一整箱时, 需在外箱标签下方加贴1PC尾数箱标签, 整箱则无需贴此标签。
6. 一栈板最多放置5层外箱, 每层放9箱(3X3), 在堆叠好外箱的八个棱角用边条保护, 再缠绕保鲜膜10层。

2. 注意事项:

1. 防止漏装, 防止异物装入, 禁止碰歪产品锡脚;
2. 盖带与载带剥离力: 30~90gf, 剥离角度165°~180°, 剥离速度300mm/min;
3. 来料、生产及包装运输过程必须满足FAF JH-GP-213《环境管理物质限用作业程序》要求

3. BOM(一箱用量)

名称	FAMFULL P/N	SPEC.	Q' TY
产品	3.125A1-016-VR0	USB TYPE C 16 PIN (WITH O-RING)	6卷/箱
	3.125A1-016-V10	USB TYPE C 16 PIN (WITH O-RING)	6卷/箱
卷盘	U.014RB-004-002	直径330mm, 内径100mm, 宽度32mm	900/卷
外箱	U.003CZ-007-001	L345*W345*H215	1PCS
防潮袋	U.000BZ-027-004	500*420	6PCS
纸板	U017CZ-010-001	345mm*345mm*3mm	2PCS
气泡布	U000SZ-009-004	345*345mm, T=13mm	2PCS
折叠板	U012CZ-002-001	155*102*102*130	4PCS
卷盘标签	U.001LW-000-001		6PCS
外箱标签	U.001LW-001-001		1PCS
干燥剂			2PCS

EXTEND USE 16PIN TYPE-C REC CONN	UNIT mm	TITLE 3.125A1 CONN. Customer Drawing	
GENERAL TOLERANCE (M)	MATERIAL	APPD	
DIMENSION	ANGLES	QTY	P/N: SEE NOTE 6
. ±0.30	. ±3'	FINISHED	DRN 邵军 2020.10.20
.0 ±0.20	.0 ±2'		SHEET 3/3
.00 ±0.10	.00 ±1'		SCALE 1:1
.000 ±0.05			REV X6

20PCS空槽 900PCS放置产品段 20PCS空槽
每卷包装规格