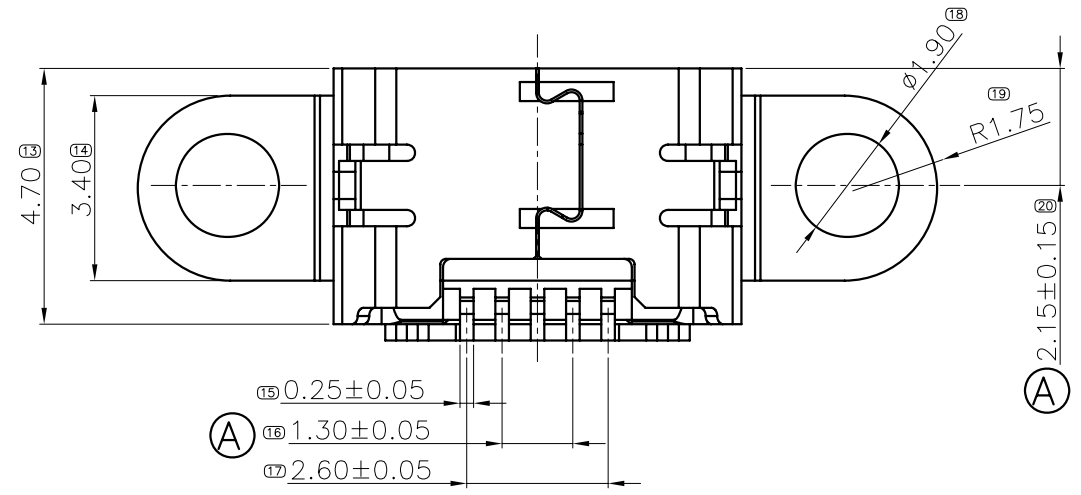
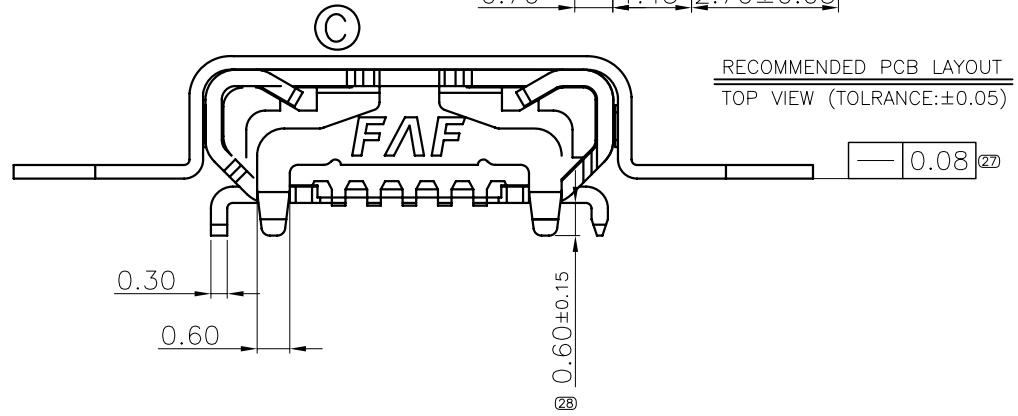
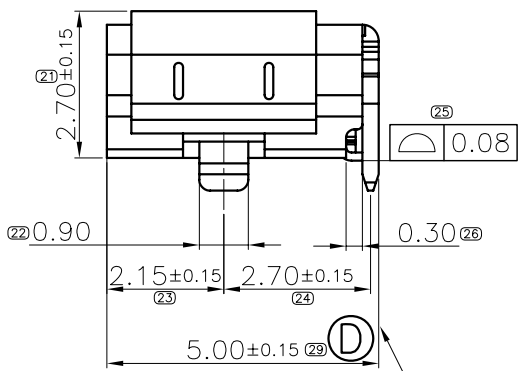
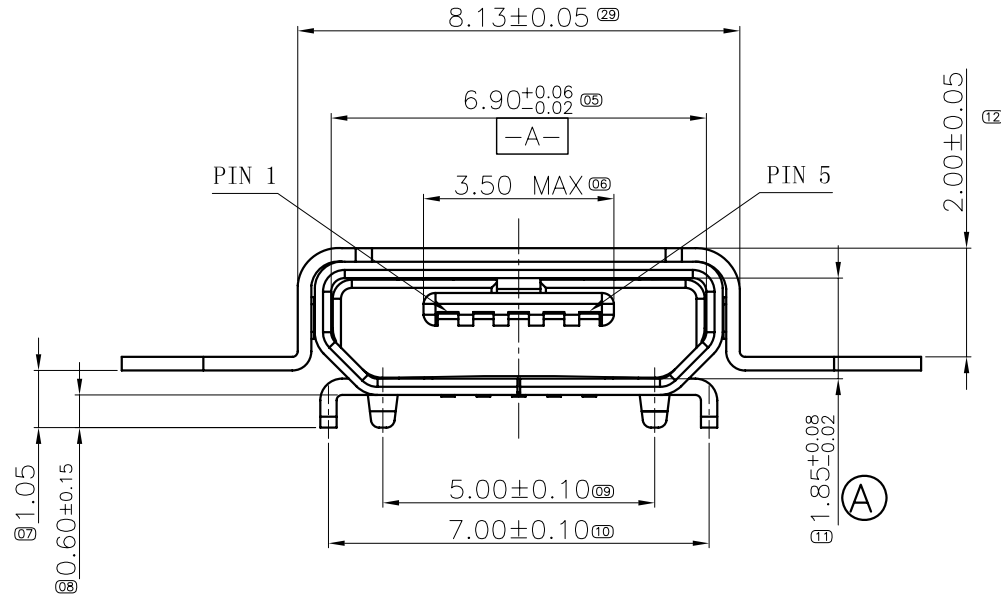
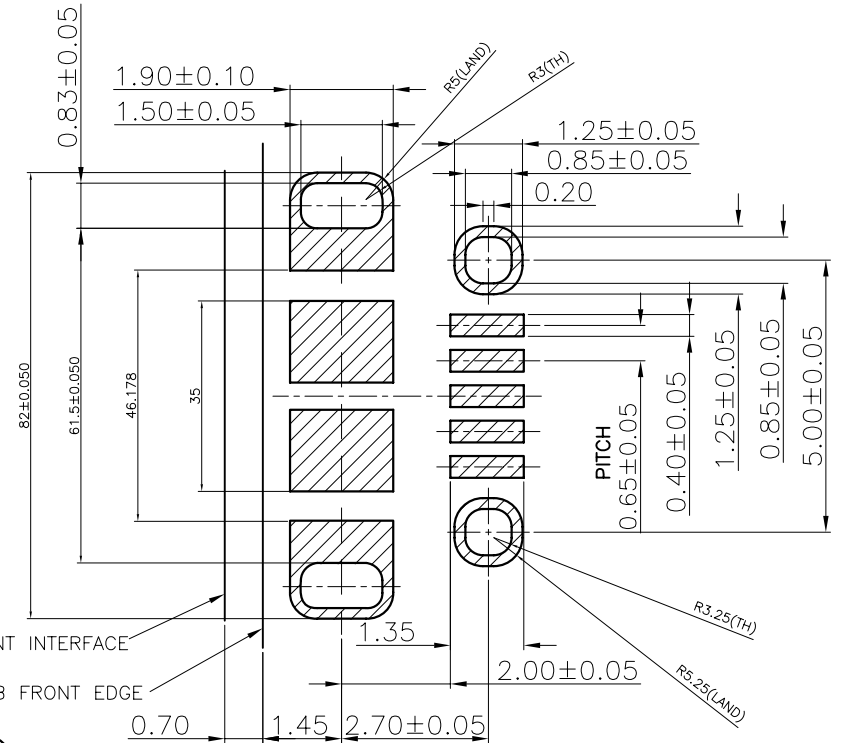
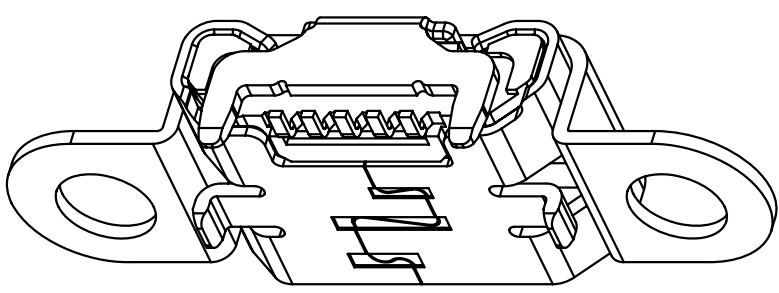
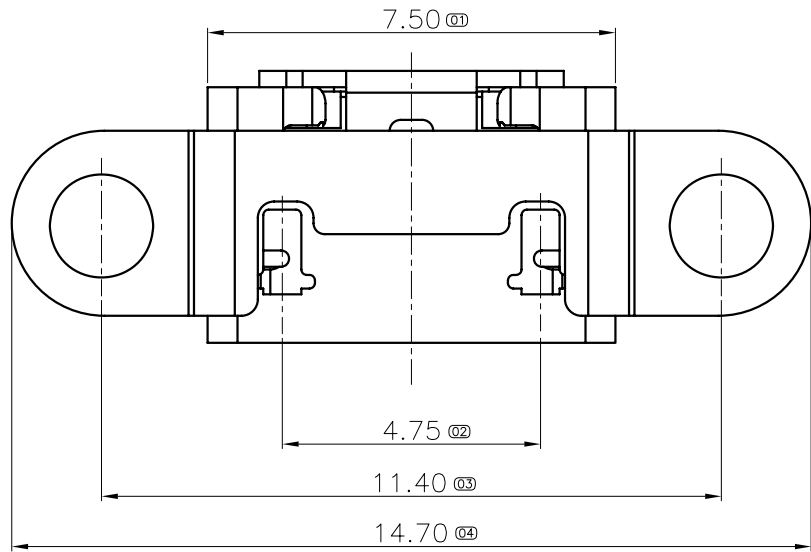


REV	ECN NO	DESCRIPTION	DATE	APPD
B	PECN1403001	依ECR-E1403001要求牛角增加倒角	2014.03.22	谭林红
C	PECN1405007	铁壳修改牛角宽度, 成品图修改与实物相符	2014.05.09	谭林红
D	PECN1501013	根据营业ECR F1501005增加29# 尺寸5.00±0.15焊脚管控	2015.01.26	周冬方
E	PECN1505004	图面整理	2015.05.07	周冬方

A  
B  
C  
D  
E



NOTE:

- MATERIAL:  
HOUSING: HIGH TEMP. THERMOPLASTIC,LCP E471i  
BLACK COLOR, UL 94V-0;  
TERMINAL: COPPER ALLOY,C2680-H T=0.15mm; (E)  
SHELL: STAINLESS STEEL,SUS 301 1/2H T=0.30mm; (E)  
PLATE: STAINLESS STEEL,SUS 301 T=0.25mm;
- PLATING:  
TERMINAL: NICKEL 50~150u" UNDER PLATED OVER ALL;  
GOLD 30u" Min PLATED AT CONTACT AREA;  
GOLD FLASH PLATED AT SOLDER TAIL AREA;
- (A) SHELL: NICKEL 50~120u" UNDER PLATED OVER ALL;  
MATTE TIN 20~60u" ON THE ALL.
- TAIL&NAIL COPLANARITY 0.08mm MAXIMUM.
- PERFORMANCE:  
CONTACT RESISTANCE: 40mΩ. Max.  
DWV: 100V AC FOR 1MINUTE;  
INSULATION RESISTANCE: 500MΩ. Min.  
MATING FORCE: 25N Max.  
UN-MATING FORCE: 8-25N.  
DURABILITY: 10000 CYCLE Min.

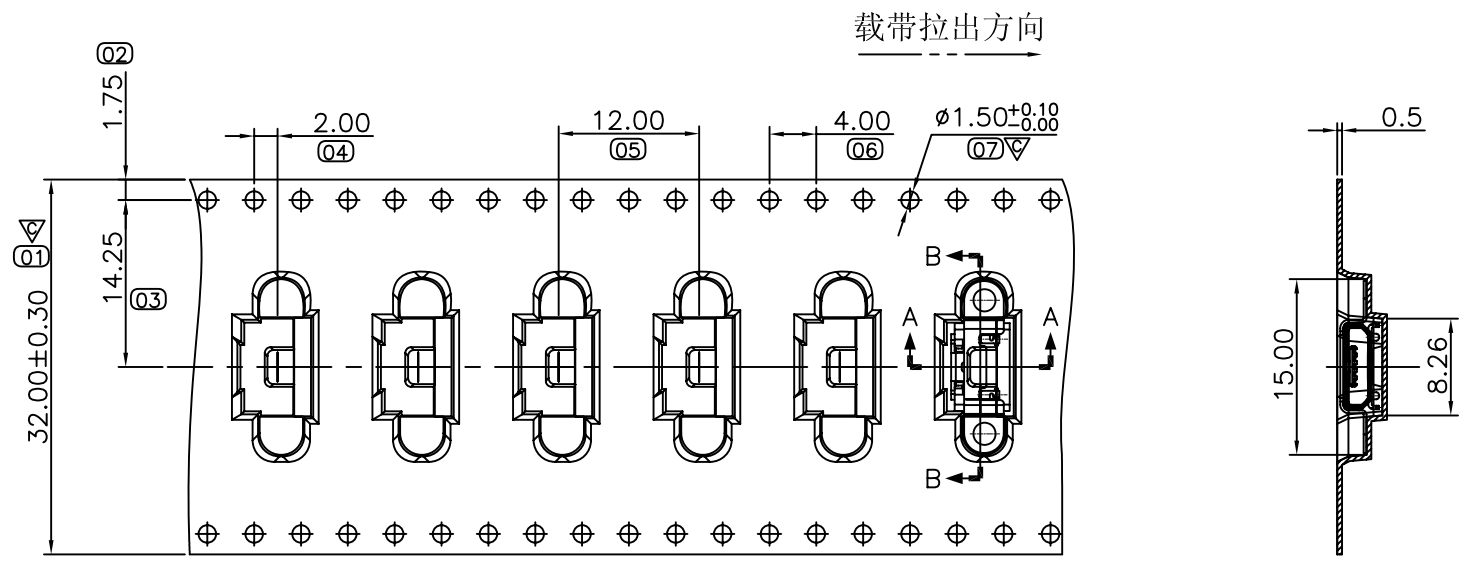
料号明细

3.061A2-005-7R0	<b>FAF</b>	接触区镀金30u" Min 焊脚区镀金1u" Min
料号	MARK	接触区镀金说明

EXTEND USE	TITLE	<b>FAF</b>
MICRO USB 5P	MICRO USB 5P CUST'DWG	
GENERAL TOLERANCE (30)	MATERIAL	DWG NO
DIMENTION	ANGLES	C-3.061A2
. ±0.30	. ±3°	P/N:
.0 ±0.25	.0 ±2°	3.061A2-005-7R0
.00 ±0.20	.00 ±1°	SHEET
.000 ±0.10		1/1
	FINISHED	SCALE
	DRN 孙海坤 2015.05.07	1:1
		REV
		E

A4

REV	ECN NO	DESCRIPTION	DATE	APPD
X1		正式版发行	2013.06.18	谭林红
A	PECN1310003	根据客户要求变更卷盘/外箱规格及包装数量	2013.10.25	谭林红
B	PECN1403001	根据品质ECR E1402004变更	2014.03.03	谭林红



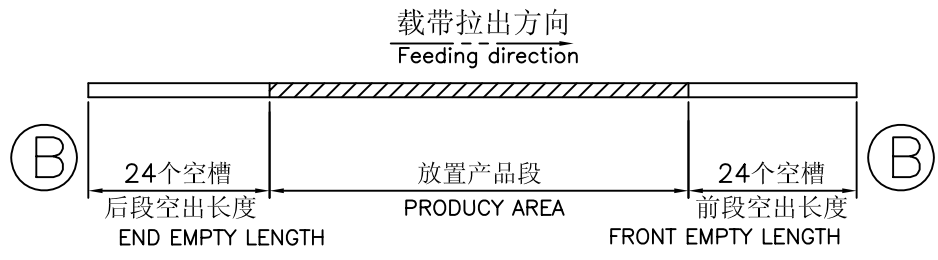
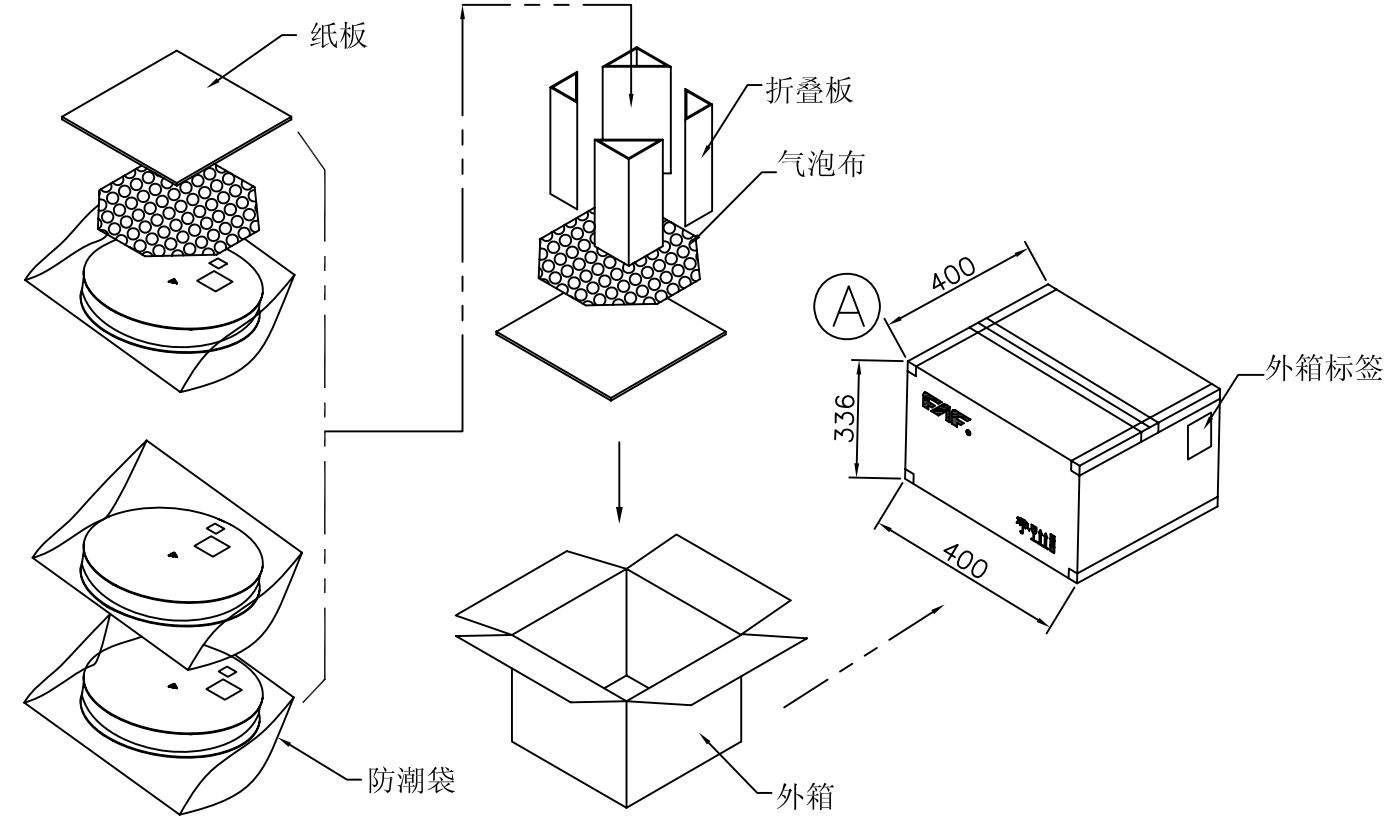
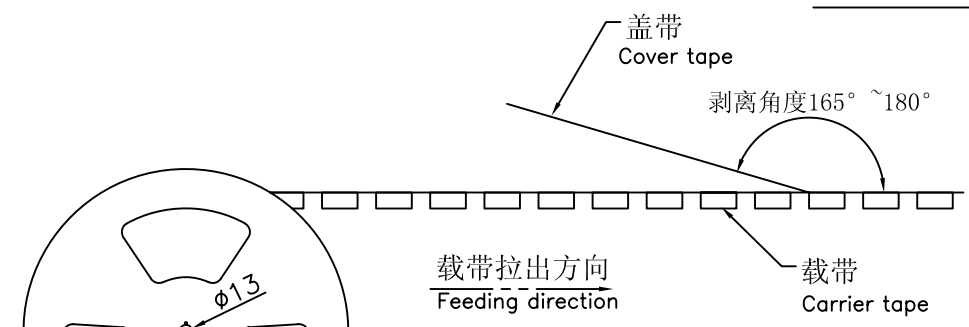
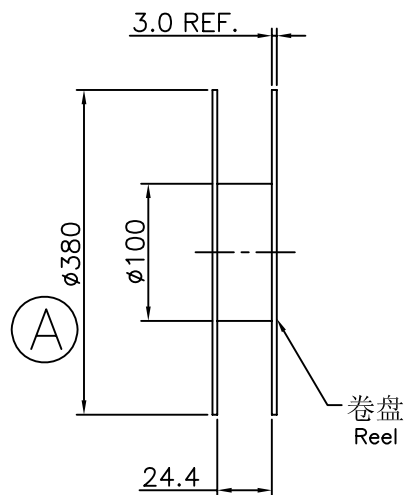
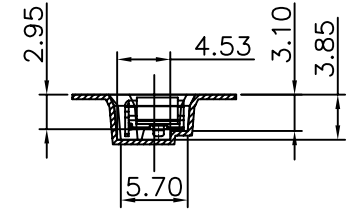
说明:

- 数量:
  - 卷盘包装: 1800PCS/REEL; (A)
  - 外箱包装: 8 REELS/CARTON (14400PCS);
- 盖带与载带剥离力: 20~75gf;
- 剥离角度: 165° ~ 180° ;
- 剥离速度: 300mm/min.
- 来料、生产及包装运输过程必须满足

FAF JH-GP-213《环境管理物质限用作业程序》要求.

料号明细

3.061A2-005-7R0	<b>FAF</b>	30u"
料号	MARK	接触区镀金说明



EXTEND USE	UNIT	TITLE	<b>FAF</b>		
Micro USB 5Pin	mm	3.061A2 客户包装图	DWG NO		
GENERAL TOLERANCE	MATERIAL	APPD	C-3.061A2-P		
DIMENTION	ANGLES	QTY	P/N:		
. ±3	. ±2°	FINISHED	3.061A2-005-7R0		
.0 ±0.25	.0 ±1°	DRN	SHEET	SCALE	REV
.00 ±0.20	.00 ±0.5°	孙海坤 2014.03.03	1/1	N/A	B
.000 ±0.10					